



4-Port PoweredUSB 2.0 External Hub

The CyberData 4-Port PoweredUSB 2.0 Hub provides a simple and affordable way to add up to four 2.0 compliant PoweredUSB ports to your PC. With this plug and play upgrade, it is easy to connect POS peripherals which require more than the normal power provided by a standard USB connection, thus eliminating the need for cumbersome power supply bricks.

Translation Technology

CyberData's USB 2.0 translation technology allows each PoweredUSB port to communicate to the host PC at 2.0 speeds, even if the attached device is only USB 1.1 compliant.

Features

- Dell Retail Integrator compatible
- Adds 4 PoweredUSB ports
- Translation convertor on all ports
- One +24 volt at 2.3A
Three +12 volt at 1.5A each
- Short circuit and overcurrent protected
- Designed to support multi-function printer power requirements
- Peripheral power control by stand-by/wake commands
- External LED to show USB port status
- Two year warranty



Compatibility

IBM PC Windows 98SE, 2000, & XP compatible.
Apple Computer & Linux also supported.
USB Standard 2.0 is fully supported.

External Power Supply

24V, 120W power supply included.

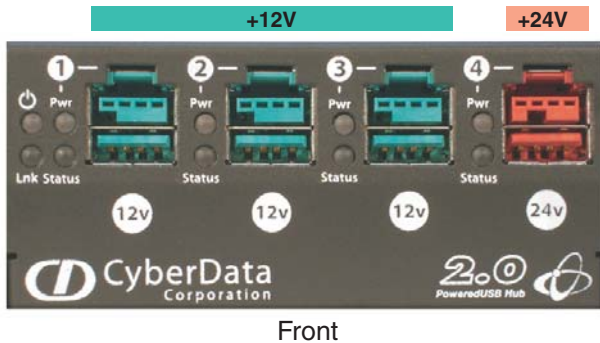
PoweredUSB External Hub Specifications

PoweredUSB Ports	4
Power Output* (Standard)	1 @ 24V 2.3A 3 @ 12V 1.5A each
Port Baud Rates	480Mbps, 12Mbps, 1.5Mbps
External LEDs	Power, link & status
Power Input	24VDC
Regulatory Compliance	FCC Class B, UL 60950-1, CE
Warranty	2 year limited
Part Number	010807

*All ports support standard "A" type +5V USB connection.



4-Port PoweredUSB 2.0 External Hub



Host Connector

The Host connector is a standard USB "A" to "B" type cable. Maximum length is 5 meters (16.5 feet) with good quality cable.

CyberData high quality 2.0 compliant PoweredUSB cables

<http://www.cyberdata.net/products/powerusb/pusbables.html>

License note:

The Powered-USB controller board contains specific technology covered by a patent held by IBM Corporation. CyberData has obtained a license from IBM that permits CyberData Corporation, among other things, to make or sell products that incorporate this technology. The license also permits these products to be resold by an entity after they have been initially sold by CyberData.